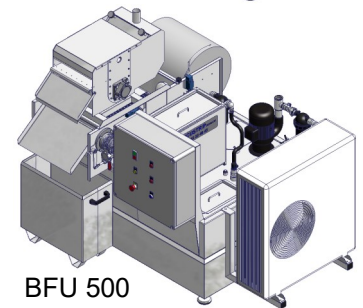
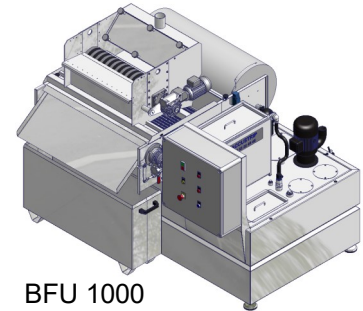
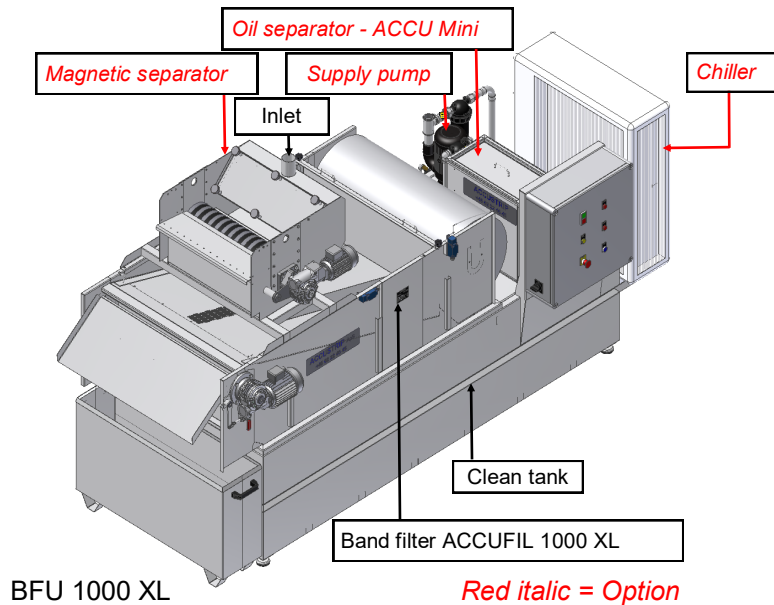


BFU

Reliable - also for bigger volume of chips



FUNCTION

The band filter is based on the principal of mechanical filtration, where the design allows a higher liquid column and therefore a bigger amount of fluids to pass through the filter, before it blocks. It allows utilization of the entire filter cloth, as the filter cloth is fixed in both ends.

As the filter cloth gets contaminated and the liquid level increases a sensor will be activated and a clean piece of filter cloth will be pulled forward.

During this process the filter cloth will be drained ensuring that almost no liquid will be wasted. The filter cloth and the particles sticking to it will be separated via a unique scraper system. A separate waste container take the used filter cloth - a second one (option) the chips.

PROPERTIES

- Constructed for connection of 1 machine. Up to 4 machines connectable.
- Continuous full flow filtration.
- Comprehensive flexibility with a lot of extra equipment. Further some types are deliverable as "L = Outlet Left", "F = Outlet Front" as well as "R = Outlet Right".
- Simple and robust construction - reliable.
- Full automatic operation, with sensor triggering an alarm at "missing filter cloth" and with automatic feed forward of fresh clean filter cloth when the filter cloth is blocked.
- Simple connection
- Simple control box
- Manufactured from stainless steel SS304.

APPLICATION

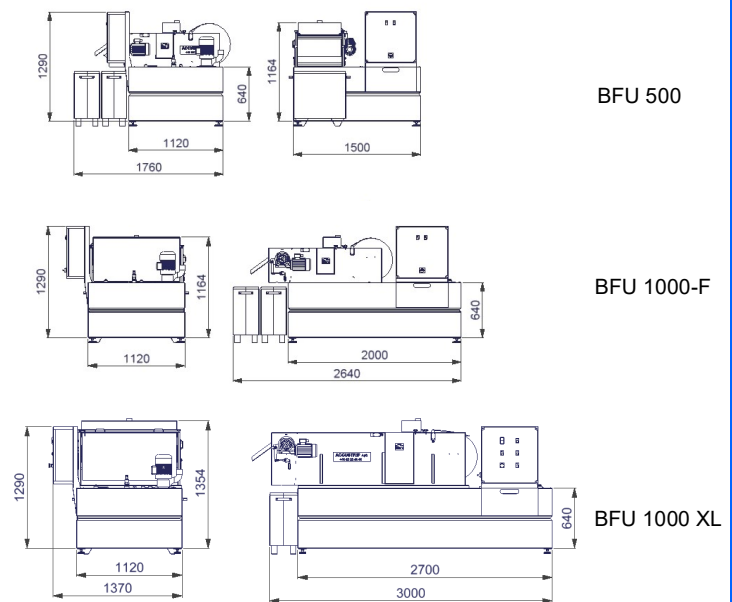
- Automatic full flow filtration of water-mixed coolant, cutting oil and washing water from washing plants.
- Cleaning coolant in machining processes (turning and milling) as well as in grinding machines in new or existing working machines
- Applicable when working in all materials such as steel, cast iron, aluminium, brass and plastics. Cast iron max. 50 % capacity.
- Independent cleaning plant or in combination with chip conveyors, wedge wire filters and magnetic separators.
- Universal applicable for different metalworking fluids as well as materials
- Working temperature 0°C to 40°C.

EQUIPMENT

Number(s)	Unit	Article	o/•
1	Pc.	Band filter	•
1	Pc.	Waste container for used filter cloth	•
1	Pc.	Clean tank	•
1	Pc.	Pressure transmitter- fluid fill level technology	•
1	Pc.	Automatic replenishment	o
1	Pc.	Control box	•
	Pc.	Clean tank enlargement	o
	Pc.	Supply- and Return pumps	o
	Pc.	Oil separator with patented oil filter technology	o
	Pc.	Cooling	o
	Pc..	Magnetic separator	o

Basic equipment • Option o

MEASURES



DATA

Type (1)	Filter fineness (2) [µm]	Max. capacity (3) [l/min]	Connection of machines	Clean tank Enlargement* [liter]	W1 [mm]	W2 [mm]	L [mm]	H [mm]	H2 [mm]	Comp. air [bar]	Electricity 50 Hz
BFU 500-L	70	200	4	1,070/1,410*	1,120	1,760	1,500	1,290	-	6	3PE/400V
BFU 500-R	70	200	4	1,070/1,410*	1,120	1,760	1,500	1,290	-	6	3PE/400V
BFU 1000-L	70	400	4	1,430/1,880*	1,120	1,760	2,000	1,290	-	6	3PE/400V
BFU 1000-R	70	400	4	1,430/1,880*	1,120	1,760	2,000	1,290	-	6	3PE/400V
BFU 1000-F	70	400	4	1,430/1,880*	1,120	-	2,000/2,640	1,290	-	6	3PE/400V
BFU 1000 XL	70	800	4	1,930/2,540*	1,120	-	2,700/3,320	1,290	-	6	3PE/400V

- (1) Please remember to order whether the outlet should be left, front or right. In the above table you have a complete list of the types available.
- (2) Filter fineness between 50 µm and 150 µm dependant on the type of filter cloth in operation.
- (3) Capacity: Max. 50 % for cast iron and max. 60 % for cutting oil.